

FAG

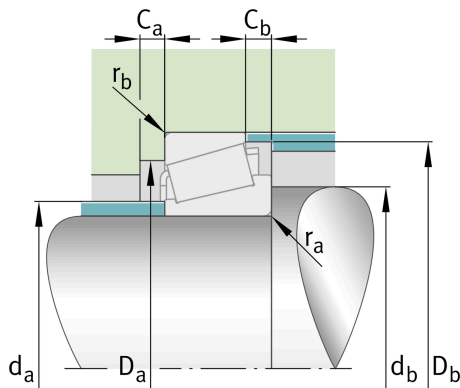
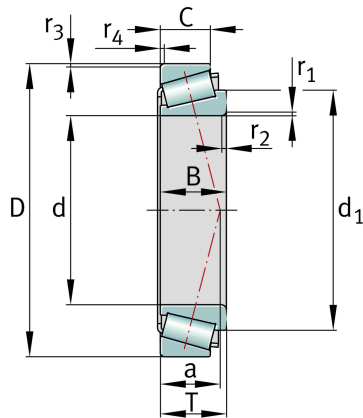
33030-XL

Tapered roller bearing

Schaeffler ID:
0845605090000Tapered roller bearings 330, main
dimensions to DIN ISO 355 / DIN 720,
separable, adjusted or in pairs

X-life

Technical information



Main Dimensions & Performance Data

| | | |
|----------|-------------|-----------------------------------|
| d | 150 mm | Bore diameter |
| D | 225 mm | Outside diameter |
| B | 59 mm | Width, inner ring |
| C | 46 mm | Width, outer ring |
| T | 59 mm | Width, total |
| C_r | 550,000 N | Basic dynamic load rating, radial |
| C_{0r} | 890,000 N | Basic static load rating, radial |
| C_{ur} | 127,000 N | Fatigue load limit, radial |
| n_G | 3,450 1/min | Limiting speed |
| n_{gr} | 1,910 1/min | Thermal speed rating |
| | 8.245 kg | Weight |

Dimensions

| | | |
|-----------------------|----------|---|
| $r_{1,2 \text{ min}}$ | 3 mm | Minimum chamfer dimension of inner ring back face |
| $r_{3,4 \text{ min}}$ | 2.5 mm | Minimum chamfer dimension of outer ring back face |
| a | 48 mm | Distance between the apices of the pressure cones |
| d_1 | 189.5 mm | Guidance rib diameter of inner ring |

Mounting dimensions

| | | |
|--------------|--------|--------------------------------------|
| $d_{a \max}$ | 164 mm | Maximum diameter of shaft shoulder |
| $d_{b \min}$ | 162 mm | Minimum diameter of shaft shoulder |
| $D_{a \min}$ | 200 mm | Minimum diameter of housing shoulder |
| $D_{a \max}$ | 213 mm | Maximum diameter of housing shoulder |
| $D_{b \min}$ | 217 mm | Minimum diameter of housing shoulder |
| $C_{a \min}$ | 8 mm | Minimum axial space |
| $C_{b \min}$ | 13 mm | Minimum axial space |
| $r_{a \max}$ | 3 mm | Maximum fillet radius of shaft |
| $r_{b \max}$ | 2.5 mm | Maximum fillet radius of housing |

Calculation factors

| | | |
|-------|---------|--|
| | T2EE150 | Comparative designation to ISO 10317 and ISO 355 |
| e | 0.36 | Limiting value of F_a/F_r for the applicability of diff. Values of factors X and Y |
| Y | 1.64 | Dynamic axial load factor |
| Y_0 | 0.9 | Static axial load factor |

Temperature range

| | | |
|------------|--------|----------------------------|
| T_{\min} | -30 °C | Operating temperature min. |
| T_{\max} | 200 °C | Operating temperature max. |